

Managed Landscape Pilot (MLP) 2008-2010

By

Stephen Bak, Water2Save, LLC
Project Manager

Sponsored by
San Diego Gas & Electric
and
San Diego County Water Authority

September 13, 2010

MLP Project Goals

- Achieve minimum of 20% savings on large landscapes
- Determine embedded energy savings
- Water2Save, LLC contracted for MLP project:
 - Identify and recruit properties with savings potential throughout San Diego County
 - Install and operate remote water management & wireless data communications equipment
 - Manage 1 year of operation at each participant site
 - Monitor water usage during project participation

Remote Water Management Service

No Programming for Landscaper

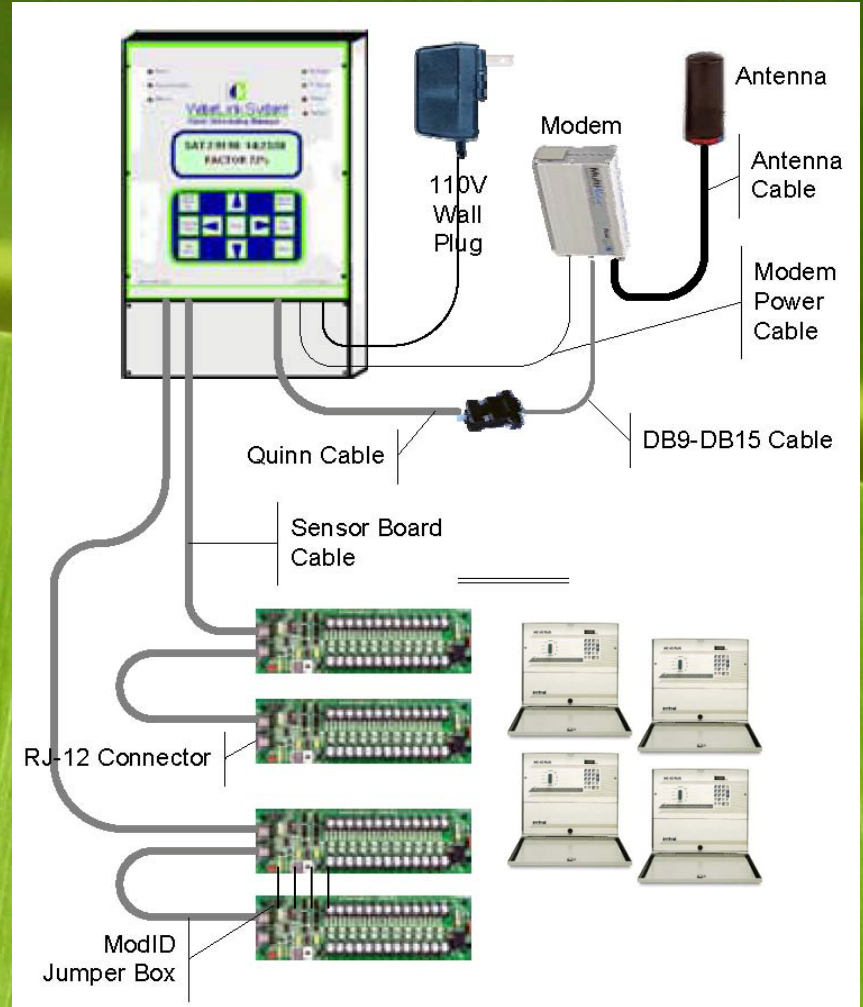
No Technology to Learn



“Patented “Look-Ahead ET””

“Data Center operated by W2S with monitoring of weather forecasts, clock runtimes, clock programs, watering days, meter usage, using wireless data communications”

Add-on To Existing Controllers



Profile of 13 Participants

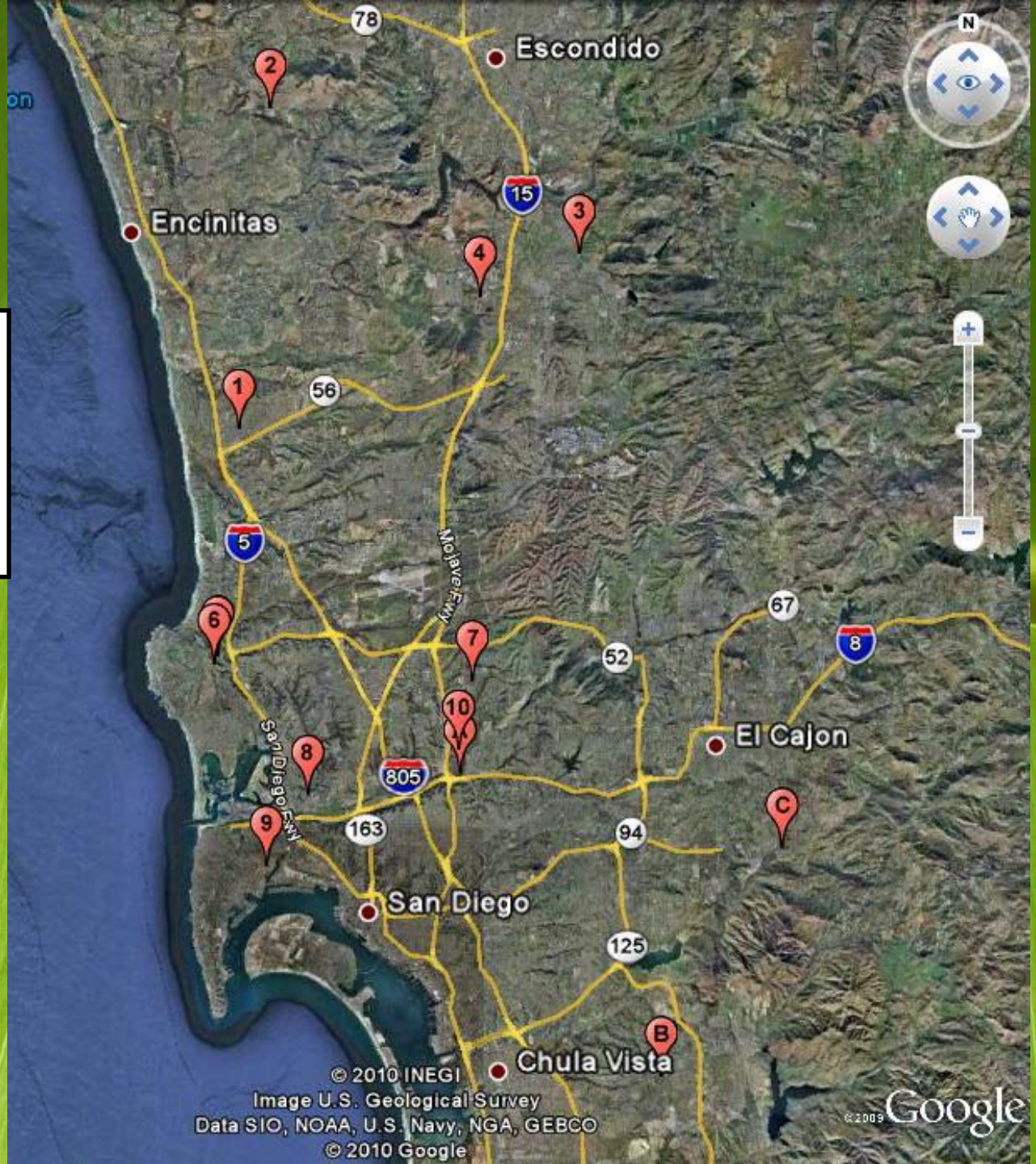
Variety of Property Types

- HOA's, apartment communities, commercial, schools
- Landscape sizes varied from 2 to 11 irrigated acres
- 3 to 10 remote water managements units installed per participant site

Variety of Locations/Climate Zones

- City of San Diego Water District, Otay Water District, Vallecitos Water District, City of Poway
- San Marcos to Chula Vista, La Jolla to El Cajon

*Location
Map of
Participants*



Program Results

All participants surpassed 20% savings threshold

- Average savings of 36.5%
(compared to previous 3-5 year historical averages)

Total Water Savings Achieved

- Over 70,000 Hundred Cubic Feet
- Over 50 Million Gallons

Participant Retention

- 80% upon project completion